

D22

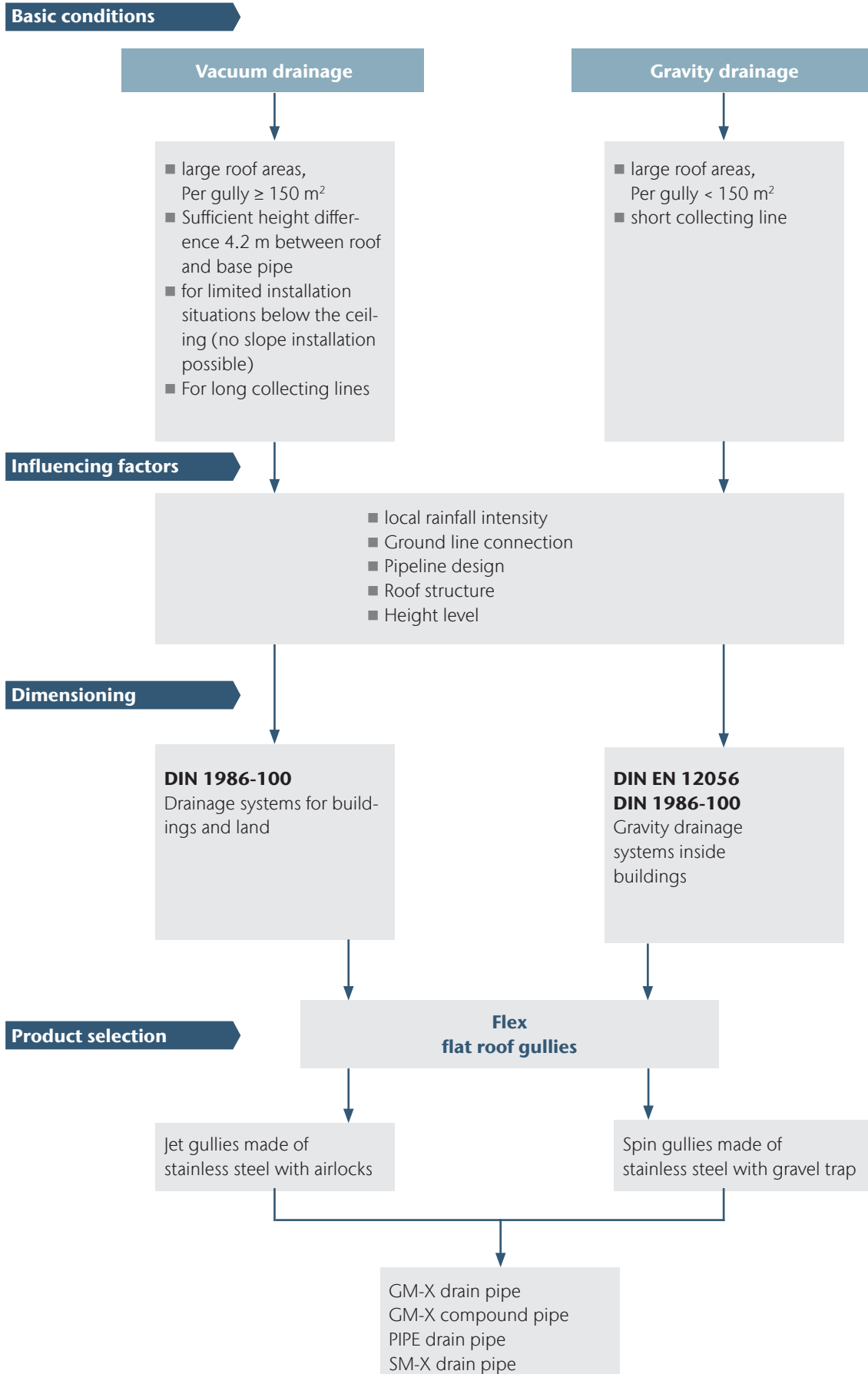
extension

ACO Building Drainage

Flexible roof drainage
Variant-Flex gullies made of stainless steel

Flat roof range made of stainless steel

Decision tree



Advantages of the Flex version

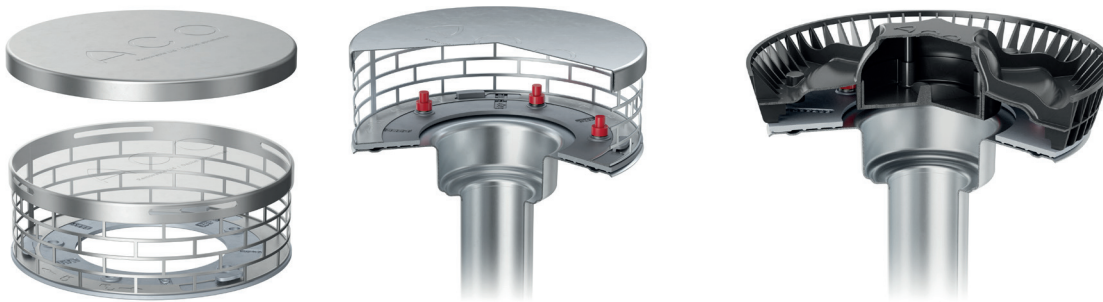
One gully - two applications

A flat roof gully - suitable for gravity and vacuum drainage. The Variant-Flex flat roof gully is suitable for a wide variety of installation scenarios - whether it's for gravity drainage or vacuum drainage. The Variant-Flex flat roof gully is used in a variety of ways. Depending on the application, the gravel trap is placed on the flat roof gully for gravity drainage and the airlock for negative pressure drainage.

Plug & Play - tool-free assembly

In the case of gravity drainage, the gravel trap is placed and locked onto the aluminium die-cast flange without the need for tools. The gravel trap is locked in place by rotating it, which locks it into the stops of the aluminium die-cast flange.

For vacuum drainage, the airlock is placed on the aluminium die-cast flange of the flat roof gully and locked in place. Locking is also done by rotation, which locks the airlock in the stops of the aluminium die-cast flange.



Standardised flange concept

Reduction of the bolts from 8 pieces to 5 pieces for time-saving assembly

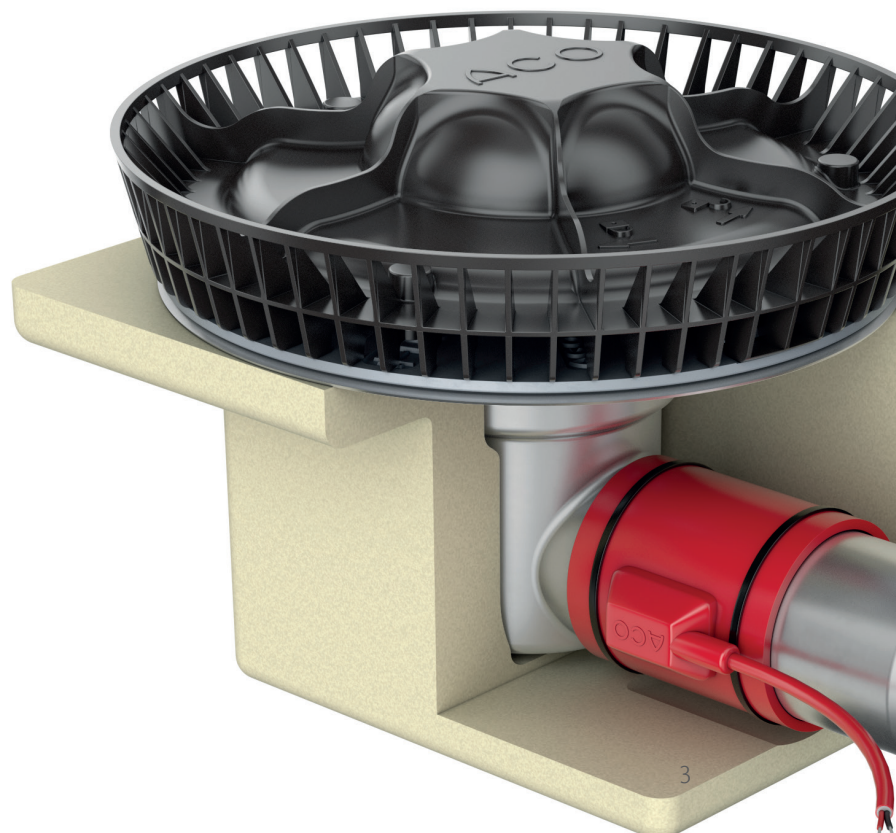
Aluminium die-cast flange is used for:

- Stainless steel flat roof gully
- Balcony drain with compression seal flange

Small recesses

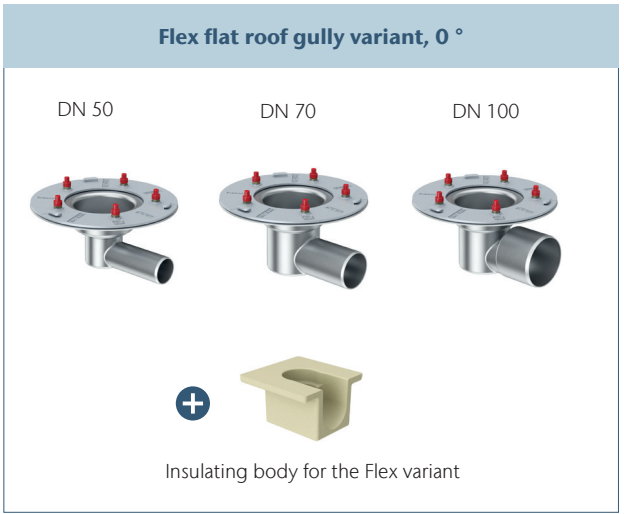
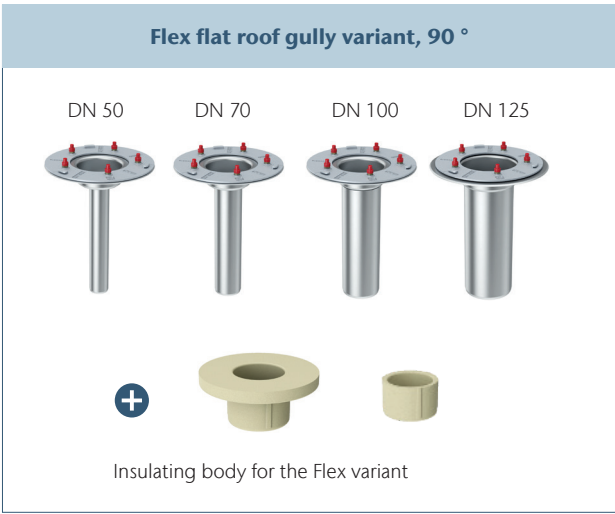
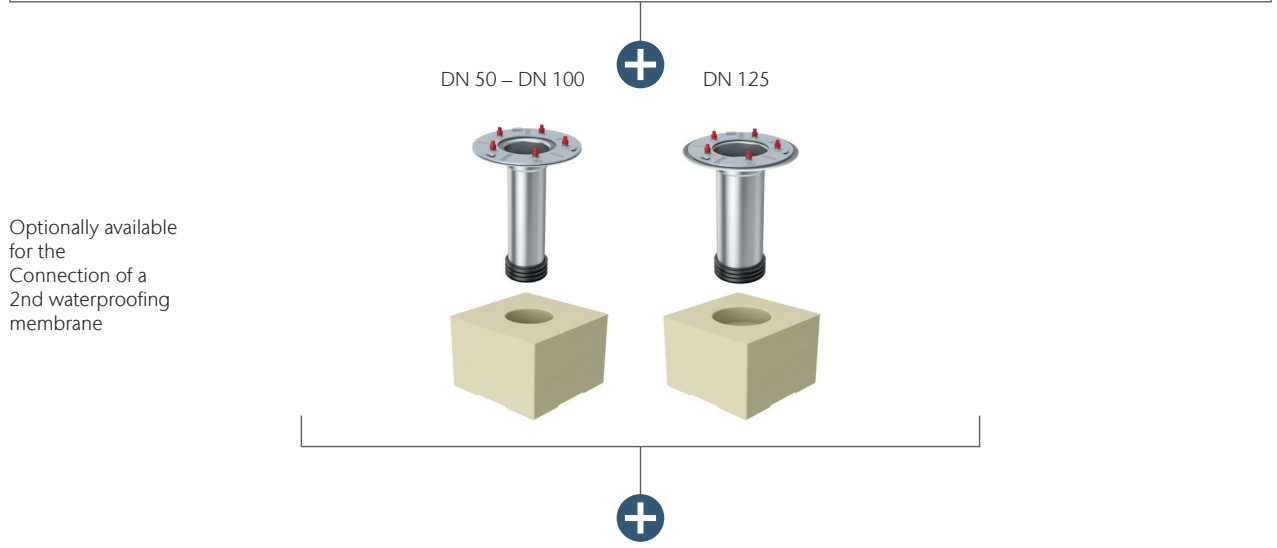
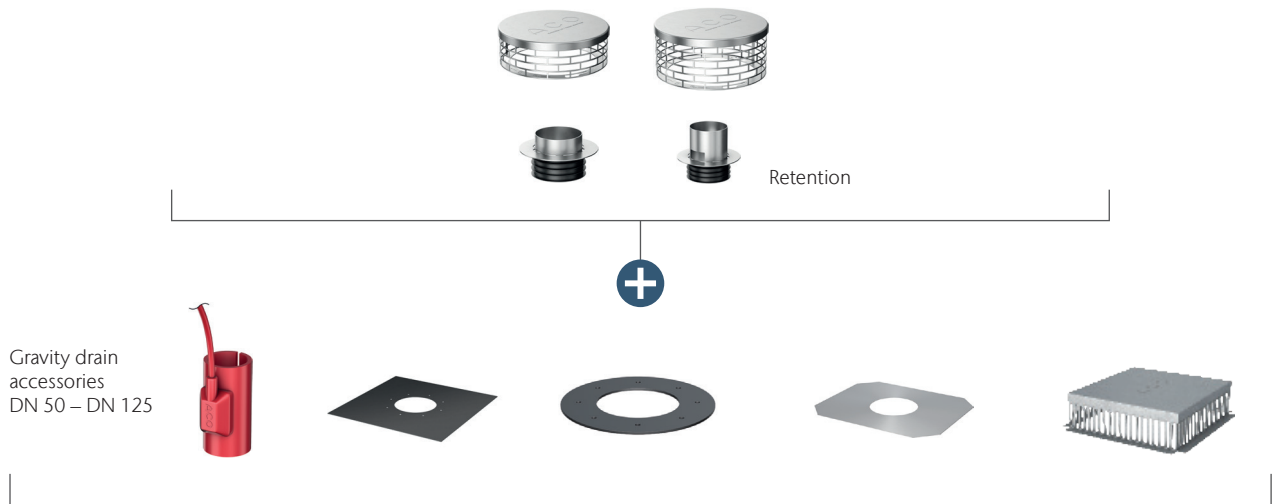
For trapezoidal sheet metal roofs according to D and

EN1090-4 no structural verification is required, as the recess is <math>< 300 \times 300\text{mm}</math>.

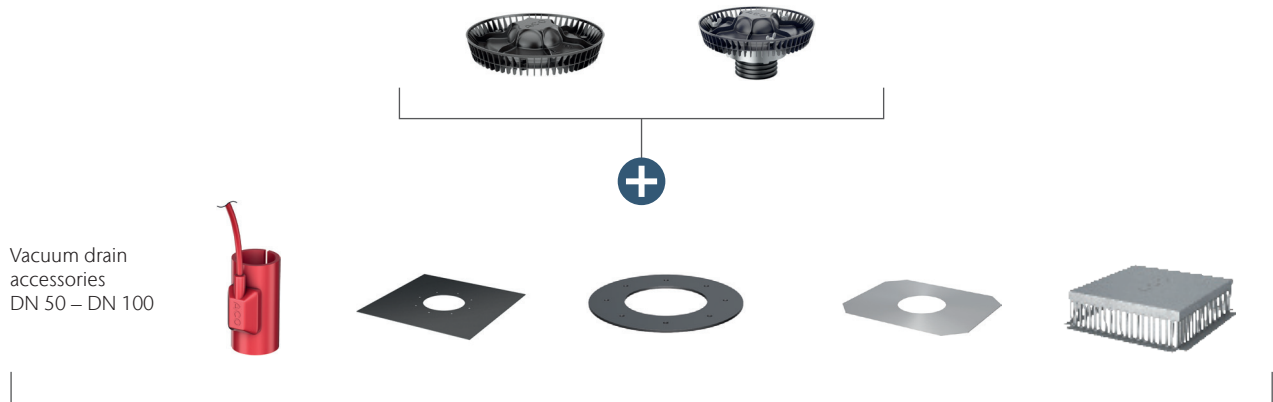


Modular system

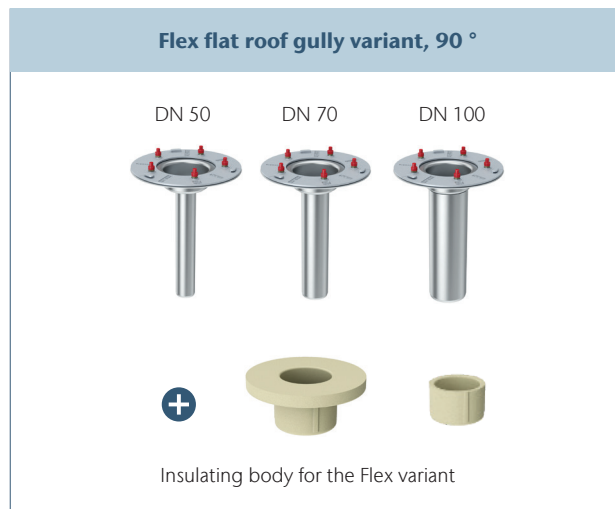
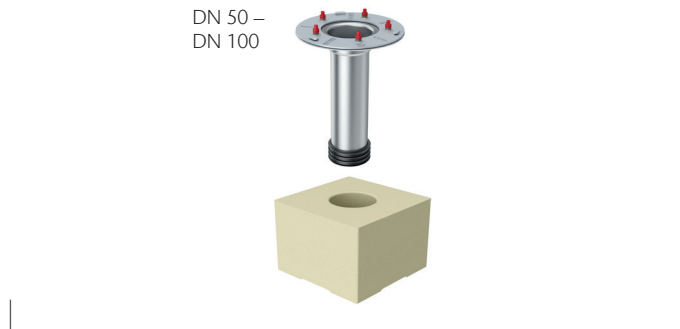
Gravity drainage



Vacuum drainage



Optionally available
for the
connection of a
2nd waterproofing
membrane



Discharge rates of the Flex flat roof gullies

Gravity drainage

DN 50 – Accumulation height: 35 mm

Diameter	Socket inclination	Version	Stainless steel gravel trap		Article No.
			Main drainage	Emergency drainage	
DN 50	90°	1-piece	6.2 l/s	8.8 l/s	1511.90.00
DN 50	90°	2-piece	6.3 l/s	8.8 l/s	
DN 50	0°	1-piece	6.6 l/s	8.8 l/s	
DN 50	0°	2-piece	6.5 l/s	8.8 l/s	

DN 70 – Accumulation height: 35 mm

Diameter	Socket inclination	Version	Stainless steel gravel trap		Article No.
			Main drainage	Emergency drainage	
DN 70	90°	1-piece	6.7 l/s	11.0 l/s	1531.90.00
DN 70	90°	2-piece	6.8 l/s	11.2 l/s	
DN 70	0°	1-piece	7.1 l/s	12.1 l/s	
DN 70	0°	2-piece	7.1 l/s	12.1 l/s	

DN 100 – Accumulation height: 35 mm

Diameter	Socket inclination	Version	Stainless steel gravel trap		Article No.
			Main drainage	Emergency drainage	
DN 100	90°	1-piece	7.7 l/s	11.0 l/s	1551.90.00
DN 100	90°	2-piece	7.5 l/s	11.8 l/s	
DN 100	0°	1-piece	7.0 l/s	10.8 l/s	
DN 100	0°	2-piece	7.1 l/s	10.1 l/s	

DN 125 – Accumulation height: 35 mm

Diameter	Socket inclination	Version	Stainless steel gravel trap		Article No.
			Main drainage	Emergency drainage	
DN 125	90°	1-piece	11.0 l/s	-	1571.90.00
DN 125	90°	2-piece	10.9 l/s	-	
DN 125	0°	1-piece	16.0 l/s	-	
DN 125	0°	2-piece	15.9 l/s	-	

Vacuum drainage

DN 50 – Accumulation height: 55 mm

Diameter	Socket inclination	Version	Airlock		Article No.
			Main drainage	Emergency drainage	
DN 50	90°	1-piece	8.8 l/s	8.8 l/s	1511.90.00
DN 50	90°	2-piece	8.8 l/s	8.8 l/s	

DN 70 – Accumulation height: 55 mm

Diameter	Socket inclination	Version	Airlock		Article No.
			Main drainage	Emergency drainage	
DN 70	90°	1-piece	18.9 l/s	18.6 l/s	1531.90.00
DN 70	90°	2-piece	19.1 l/s	18.2 l/s	

DN 100 – Accumulation height: 55 mm

Diameter	Socket inclination	Version	Airlock		Article No.
			Main drainage	Emergency drainage	
DN 100	90°	1-piece	30.3 l/s	31.2 l/s	1551.90.00
DN 100	90°	2-piece	28.4 l/s	30.3 l/s	

ACO Flex flat roof gully


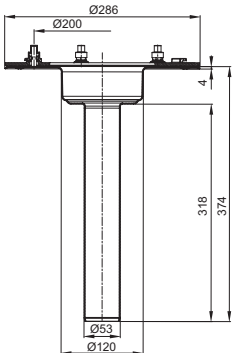

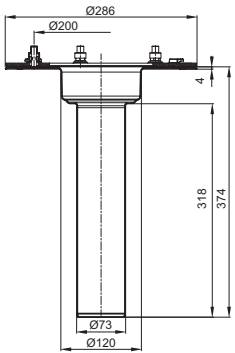
ACO product advantages


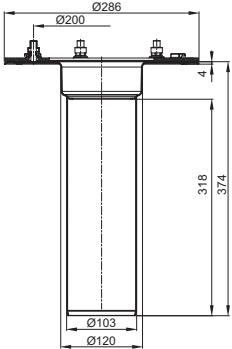

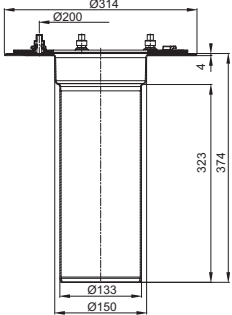

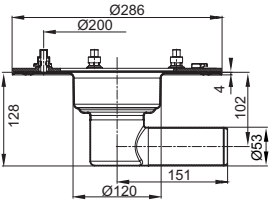

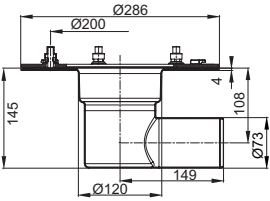

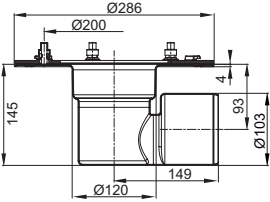
- Variable installation
 - Modular system: Can be used for gravity and vacuum drainage
 - Can be utilised as emergency drainage
 - Few components
 - Compact design: Small recess dimensions
 - Permanent resistance
 - 100% UV resistance
 - Maintenance-friendly
 - Flexible waterproofing
 - PVC/FPO/Bitumen membranes
- Flat roof gullies according to DIN EN 1253-2
 - Nominal width: DN50-DN100
 - Application: Gravity or vacuum drainage (depending on the accessories used)
 - From stainless steel, material grade 1.4301
 - Building material class A1 non-flammable
 - With protective cover during construction period
 - With compression seal flange for sealing with 1 waterproofing membrane
 - Can be used for 1 sealing membrane



Nominal diameter	Recess [mm]	Article No.	Price
------------------	----------------	-------------	-------


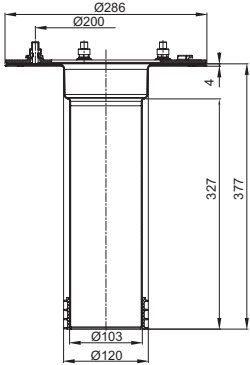

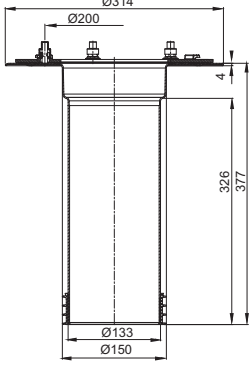
Socket inclination: 90°

 	DN 50	190 x 260	1511.90.00	158.00
 	DN 70	190 x 260	1531.90.00	167.00

		Nominal diameter	Recess [mm]	Article No.	Price
		DN 100	190 x 260	1551.90.00	190.00
		DN 125	210 x 260	1571.90.00	220.00
Socket inclination: 0°					
		DN 50	190 x 360	1511.50.00	180.00
		DN 70	190 x 360	1531.50.00	199.00
		DN 100	190 x 360	1551.50.00	240.00

Upper part for Flex flat roof gully

- From stainless steel, material grade 1.4301
 - Building material class A1, non-flammable
- With compression seal flange according to EN 1253
- Flexible waterproofing
 - PVC/FPO/Bitumen membranes
- Can be utilised as emergency drainage

Designation	Suitable for	Description	Weight [kg]	Article No.	Price
  <p>Upper part with compression seal flange</p>	<ul style="list-style-type: none"> ■ ACO Flex flat roof gully □ DN 50 – DN 100 □ Socket inclination 90° and 0° 	<ul style="list-style-type: none"> ■ From stainless steel, material grade 1.4301 ■ Socket inclination: 90°, DN 50– DN 100 ■ With compression seal flange according to EN 1253 ■ Can be used for gravity and vacuum drainage ■ Plastic protective cover for during construction period ■ Incl. lip seal 	4.1	1593.90.00	170.00
  <p>Upper part with compression seal flange</p>	<ul style="list-style-type: none"> ■ ACO Flex flat roof gully □ DN 125 □ Socket inclination: 90° 	<ul style="list-style-type: none"> ■ From stainless steel, material grade 1.4301 ■ Socket inclination: 90°, DN 125 ■ With compression seal flange according to EN 1253 ■ Can be used for gravity and vacuum drainage ■ Plastic protective cover for during construction period ■ Incl. lip seal 	5.1	1573.90.00	199.00

ACO Spin complete flat roof gullies - 2-piece for gravity drainage

ACO product advantages

- Compact design: Small recess dimensions
 - Permanent resistance
 - 100% UV resistance
 - Maintenance-friendly
 - Flexible waterproofing
 - PVC/FPO/Bitumen membranes
 - Can be utilised as emergency drainage
- Flat roof gully according to DIN EN 1253-2
 - Application: Gravity drainage
 - From stainless steel, material grade 1.4301
 - Building material class A1 non-flammable
 - With compression seal flange for sealing with 1 waterproofing membrane
 - Can be used for 2 sealing membranes

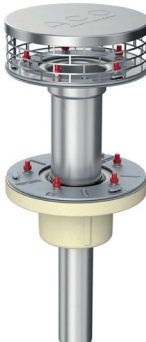
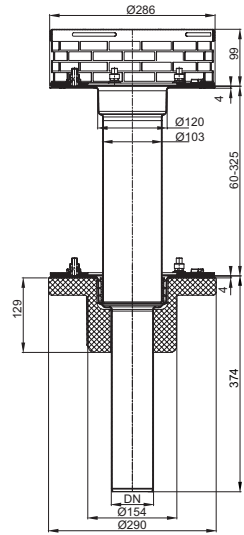
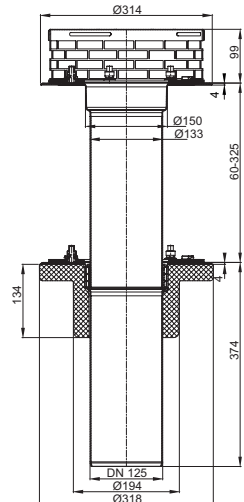


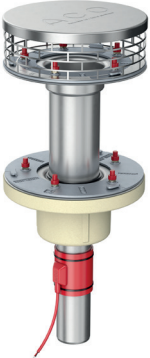
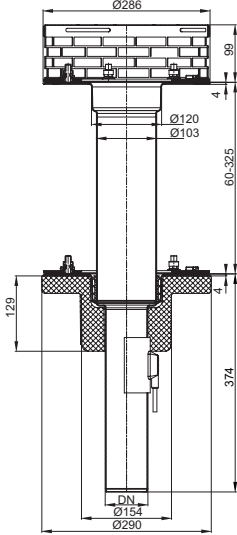
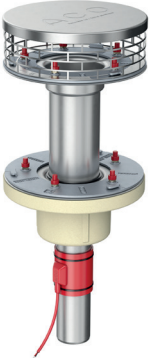
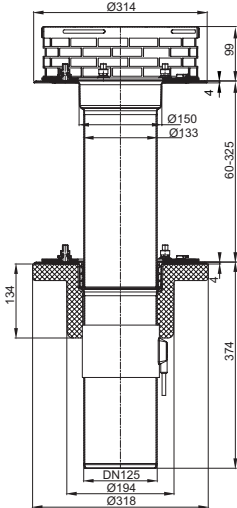
Gravel trap basket	Insulation	Nominal diameter	Recess [mm]	Article No.	Price
--------------------	------------	------------------	-------------	-------------	-------

Socket inclination: 90°


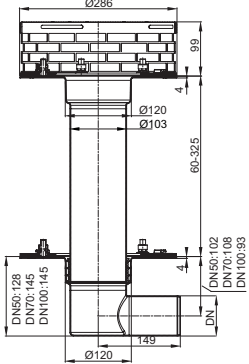

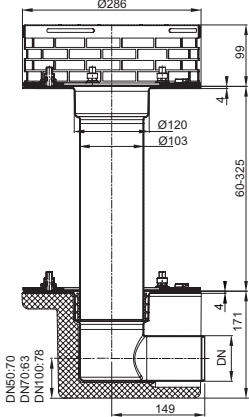
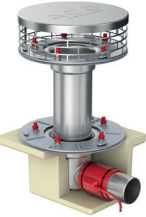
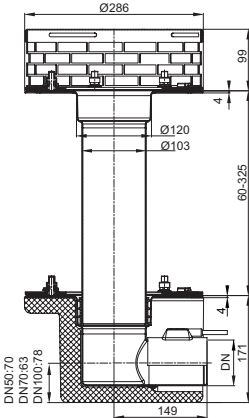
		made of stainless steel	Uninsulated	DN 50	190 x 260	1619.20.10	399.00
				DN 70	190 x 260	1639.20.10	410.00
				DN 100	190 x 260	1659.20.10	425.00
	made of stainless steel	Uninsulated	DN 125	210 x 260	1679.20.10	480.00	

Flexible roof drainage made of stainless steel
Gravity and vacuum drainage

Gravel trap basket	Insulation	Nominal diameter	Recess	Article No.	Price		
			[mm]				
							
		made of stainless steel	PUR-Insulating body	DN 50	190 x 260	1619.23.10	450.00
				DN 70	190 x 260	1639.23.10	480.00
				DN 100	190 x 260	1659.23.10	495.00
	made of stainless steel	PUR-Insulating body	DN 125	210 x 260	1679.23.10	550.00	

Gravel trap basket	Insulation	Nominal diameter	Recess [mm]	Article No.	Price		
		DN 50	190 x 260	1619.23.30	640.00		
		made of stainless steel	PUR insulating body, heated	DN 70	190 x 260	1639.23.30	650.00
		DN 100	190 x 260	1659.23.30	670.00		
		DN 125	210 x 260	1679.23.30	770.00		
		made of stainless steel	PUR insulating body, heated				

Flexible roof drainage made of stainless steel
Gravity and vacuum drainage

	Gravel trap basket	Insulation	Nominal diameter	Recess [mm]	Article No.	Price	
Socket inclination: 0°							
		made of stainless steel	Uninsulated	DN 50	190 x 360	1615.20.10	420.00
				DN 70	190 x 360	1635.20.10	435.00
				DN 100	190 x 360	1655.20.10	475.00
		made of stainless steel	PUR-Insulating body	DN 50	190 x 360	1615.23.10	520.00
				DN 70	190 x 360	1635.23.10	520.00
				DN 100	190 x 360	1655.23.10	550.00
		made of stainless steel	PUR insulating body, heated	DN 50	190 x 360	1615.23.30	665.00
				DN 70	190 x 360	1635.23.30	665.00
				DN 100	190 x 360	1655.23.30	760.00

ACO Jet complete flat roof gullies - 2-piece for vacuum drainage

ACO product advantages

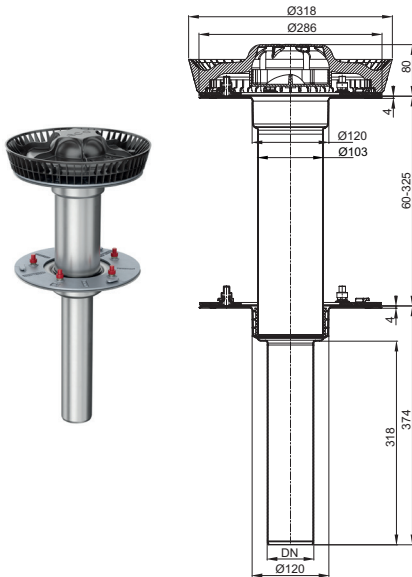
- Compact design: Small recess dimensions
- Permanent resistance
 - 100% UV resistance
- Maintenance-friendly
- Flexible waterproofing
 - PVC/FPO/Bitumen membranes
- Can be utilised as emergency drainage

- Flat roof gully according to DIN EN 1253-2
- Application: vacuum drainage
- From stainless steel, material grade 1.4301
 - Building material class A1 non-flammable
- With airlock
- With compression seal flange for sealing with 1 waterproofing membrane
- Can be used for 2 sealing membranes

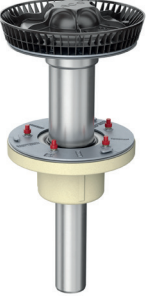
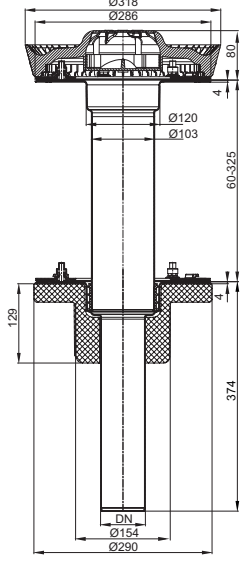
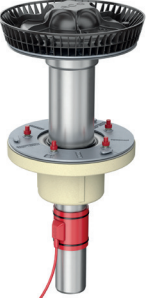
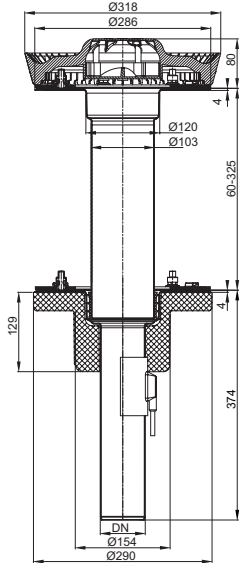


Gravel trap basket	Insulation	Nominal diameter	Recess [mm]	Article No.	Price
--------------------	------------	------------------	-------------	-------------	-------

Socket inclination: 90°



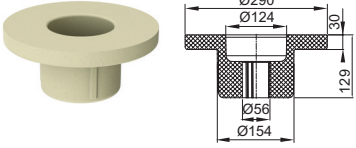
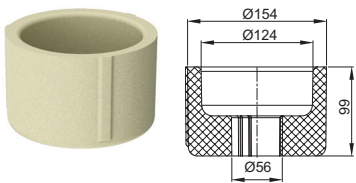
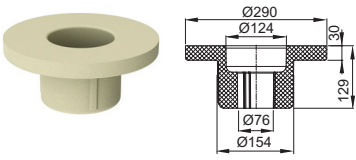
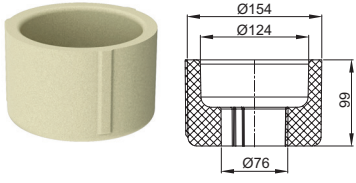
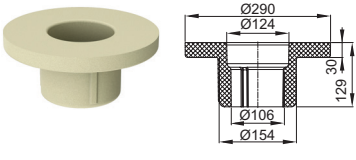
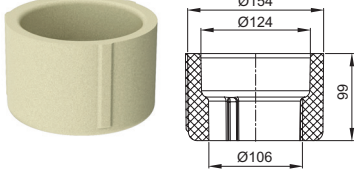
		DN 50	190 x 260	1619.20.60	350.00
Airlock	Uninsulated	DN 70	190 x 260	1639.20.60	360.00
		DN 100	190 x 260	1659.20.60	380.00

		Gravel trap basket	Insulation	Nominal diameter	Recess [mm]	Article No.	Price
		Airlock	PUR-Insulating body	DN 50	190 x 260	1619.23.60	410.00
				DN 70	190 x 260	1639.23.60	420.00
				DN 100	190 x 260	1659.23.60	440.00
		Airlock	PUR insulating body, heated	DN 50	190 x 260	1619.23.90	640.00
				DN 70	190 x 260	1639.23.90	650.00
				DN 100	190 x 260	1659.23.90	670.00

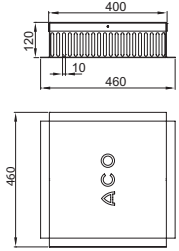
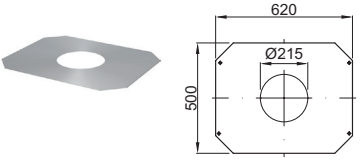
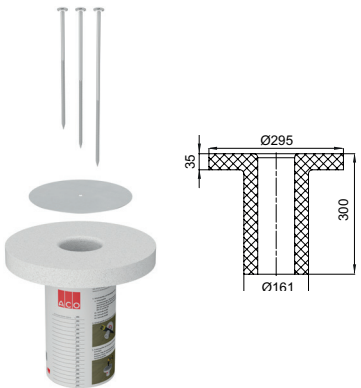
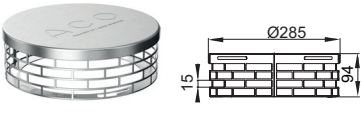
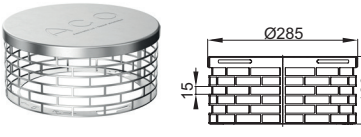
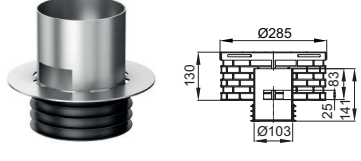
Accessories


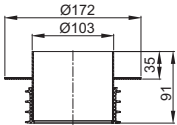

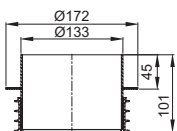

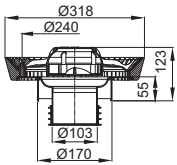

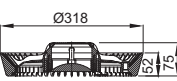
	Designation	Suitable for	Description	Article No.	Price
Accessories for Flex variant for gravity and vacuum drainage					
			<ul style="list-style-type: none"> ■ Power supply: 220 – 240 V AC ■ Degree of protection: IP 67 ■ Connection line <ul style="list-style-type: none"> □ H05RN-F2x1,0 □ Length: 1 m ■ Overall height: 95 mm 		
	Flat roof heating	<ul style="list-style-type: none"> ■ Flex flat roof gully made of stainless steel □ DN 50 – DN 100, Socket inclination: 90°/0° 	<ul style="list-style-type: none"> □ Nominal power: 25 W □ Weight: 0.3 kg 	7000.85.10	391.00
	Flat roof heating incl. thermostat	<ul style="list-style-type: none"> ■ Flex flat roof gully made of stainless steel □ DN 50 – DN 100, Socket inclination: 90°/0° 	<ul style="list-style-type: none"> □ Nominal power: 25 W □ Weight: 0.3 kg 	7000.85.20	457.00
	Flat roof heating	<ul style="list-style-type: none"> ■ Flex flat roof gully made of stainless steel □ DN 125, Socket inclination: 90° 	<ul style="list-style-type: none"> □ Nominal power: 40 W □ Weight: 0.4 kg 	7000.85.15	391.00
	Flat roof heating incl. thermostat	<ul style="list-style-type: none"> ■ Flex flat roof gully made of stainless steel □ DN 125, Socket inclination: 90° 	<ul style="list-style-type: none"> □ Nominal power: 40 W □ Weight: 0.4 kg 	7000.85.25	457.00
	Lip seal ring	<ul style="list-style-type: none"> ■ Upper part made of stainless steel DN 50-100, 90° ■ Spin pilot tube DN 50-DN 100 ■ Jet pilot tube DN 50-DN 100 	<ul style="list-style-type: none"> ■ Material: NBR ■ Diameter: 120 mm ■ Weight: 0.1 kg 	1590.00.60	19.00
	Lip seal ring	<ul style="list-style-type: none"> ■ Upper part made of stainless steel DN 125, 90° ■ Spin pilot tube DN 125 	<ul style="list-style-type: none"> ■ Material: NBR ■ Diameter: 150 mm ■ Weight: 0.1 kg 	1570.00.60	21.00

Flexible roof drainage made of stainless steel
Gravity and vacuum drainage

	Designation	Suitable for	Description	Article No.	Price
	Insulating body	<ul style="list-style-type: none"> Flex flat roof gully made of stainless steel DN 50 Socket inclination: 90° 	<ul style="list-style-type: none"> Made of PUR Moulded part for thermal insulation of the flat roof gully Condensation in the area of the gullies is prevented Core drill: 160 mm Weight: 0.2 kg 	1510.93.00	80.00
	Insulating body without collar	<ul style="list-style-type: none"> Flex flat roof gully made of stainless steel DN 50 Socket inclination: 90° 	<ul style="list-style-type: none"> Made of PUR Without circumferential collar Moulded part for thermal insulation of the flat roof gully Condensation in the area of the gullies is prevented Core drill: 160 mm 	1510.95.00	70.00
	Insulating body	<ul style="list-style-type: none"> Flex flat roof gully made of stainless steel DN 70 Socket inclination: 90° 	<ul style="list-style-type: none"> Made of PUR Moulded part for thermal insulation of the flat roof gully Condensation in the area of the gullies is prevented Core drill: 160 mm 	1530.93.00	80.00
	Insulating body without collar	<ul style="list-style-type: none"> Flex flat roof gully made of stainless steel DN 70 Socket inclination: 90° 	<ul style="list-style-type: none"> Made of PUR Without circumferential collar Moulded part for thermal insulation of the flat roof gully Condensation in the area of the gullies is prevented Core drill: 160 mm 	1530.95.00	70.00
	Insulating body	<ul style="list-style-type: none"> Flex flat roof gully made of stainless steel DN 100 Socket inclination: 90° 	<ul style="list-style-type: none"> Made of PUR Moulded part for thermal insulation of the flat roof gully Condensation in the area of the gullies is prevented Core drill: 160 mm 	1550.93.00	80.00
	Insulating body without collar	<ul style="list-style-type: none"> Flex flat roof gully made of stainless steel DN 100 Socket inclination: 90° 	<ul style="list-style-type: none"> Made of PUR Without circumferential collar Moulded part for thermal insulation of the flat roof gully Condensation in the area of the gullies is prevented Core drill: 160 mm 	1550.95.00	70.00

	Designation	Suitable for	Description	Article No.	Price
	Insulating body	<ul style="list-style-type: none"> ■ Flex flat roof gully made of stainless steel ■ DN 125 ■ Socket inclination: 90° 	<ul style="list-style-type: none"> ■ Made of PUR ■ Moulded part for thermal insulation of the flat roof gully ■ Condensation in the area of the gullies is prevented ■ Core drill: 200 mm 	1570.93.00	80.00
	Insulating body without collar	<ul style="list-style-type: none"> ■ Flex flat roof gully made of stainless steel ■ DN 125 ■ Socket inclination: 90° 	<ul style="list-style-type: none"> ■ Made of PUR ■ Without circumferential collar ■ Moulded part for thermal insulation of the flat roof gully ■ Condensation in the area of the gullies is prevented ■ Core drill: 200 mm 	1570.95.00	70.00
	Insulating body	<ul style="list-style-type: none"> ■ Flex flat roof gully made of stainless steel ■ DN 50-DN 100 ■ Socket inclination: 0° 	<ul style="list-style-type: none"> ■ Made of PUR ■ Connection port 0° ■ Moulded part for thermal insulation of the flat roof gully ■ Condensation in the area of the gullies is prevented 	1590.53.00	105.00
	Insulating body	<ul style="list-style-type: none"> ■ Upper part made of stainless steel ■ DN 50, DN 70, DN 100 ■ Socket inclination: 90° 	<ul style="list-style-type: none"> ■ Made of PUR ■ Moulded part for thermal insulation of the upper part □ DN 50, DN 70, DN 100 ■ Condensation is prevented around the top part and the gully cover 	1590.91.00	120.00
	Insulating body	<ul style="list-style-type: none"> ■ Upper part made of stainless steel ■ DN 125 ■ Socket inclination: 90° 	<ul style="list-style-type: none"> ■ Made of PUR ■ Moulded part for thermal insulation of the upper part □ DN 125 ■ Condensation is prevented around the top part and the gully cover 	1570.91.00	120.00
	Flange seal set	<ul style="list-style-type: none"> ■ Flex flat roof gully made of stainless steel □ DN 50 – DN 125; Socket inclination: 90°/0° ■ Upper part made of stainless steel □ DN 50 – DN 100, DN 125, 90° 	<ul style="list-style-type: none"> ■ Consisting of: <ul style="list-style-type: none"> □ 1 flange seal for loose flange □ 1 flange seal for fixed flange ■ Thickness: 4 mm □ EPDM □ Weight: 0.4 kg □ PVC soft □ Weight: 0.4 kg □ NBR/SBR □ Weight: 0.5 kg 	5169.20.26	22.80
				5169.30.26	37.20
				5169.40.26	22.60

	Designation	Suitable for	Description	Article No.	Price
	Control shaft	<ul style="list-style-type: none"> ■ Flex flat roof gully made of stainless steel □ DN 50 – DN 125; Socket inclination: 90° 	<ul style="list-style-type: none"> ■ From stainless steel, material grade 1.4301 ■ Load class: K 3 ■ Weight: 5.3 kg 	0153.73.05	227.00
	Support sheet for trapezoidal sheet roof	<ul style="list-style-type: none"> ■ Flex flat roof gully made of stainless steel □ DN 50 – DN 125; Socket inclination: 90° 	<ul style="list-style-type: none"> ■ Made of galvanised sheet steel ■ Thickness: 1.5 mm ■ Weight: 3.6 kg 	0174.46.61	31.00
	Formwork aid for Flex variant	<ul style="list-style-type: none"> □ ACO flat roof gully Flex, DN50-DN100 with insulating body 	<ul style="list-style-type: none"> ■ Formwork aid made of polystyrene(PS) ■ Washer and fixing screws made of galvanised steel ■ Screw lengths <ul style="list-style-type: none"> □ M8x200mm □ M8x260mm □ M8x300mm ■ Precise positioning and easy fixation ■ Freely adjustable at the marking lines 	1500.06.00	56.00
Accessories for Spin variant for gravity drainage					
	Gravel trap	<ul style="list-style-type: none"> ■ Flex flat roof gully DN 50 – DN 125; Upper part: DN 50 – DN 125; 	<ul style="list-style-type: none"> ■ Made of stainless steel ■ Plug & Play <ul style="list-style-type: none"> □ For tool-free locking on loose flange ■ Fast installation 	1500.00.10	98.00
	Gravel trap	<ul style="list-style-type: none"> ■ Spin flat roof retention gully top DN 50 – DN 100; Upper part DN 50 – DN 100; In conjunction with retention gully top 	<ul style="list-style-type: none"> ■ Made of stainless steel ■ Plug & Play <ul style="list-style-type: none"> □ For tool-free locking on loose flange ■ Fast installation 	1590.00.30	120.00
	Retention gully top	<ul style="list-style-type: none"> ■ Flex flat roof gully DN 50-DN 100 ■ Upper part: DN 50-DN 100 	<ul style="list-style-type: none"> ■ Made of stainless steel, 1.4301 ■ With lip seal ring ■ Accumulation height: 85 mm ■ Discharge capacity: 1.0 l/s ■ Accumulation height: 85 mm ■ Discharge capacity: 1.5 l/s ■ Accumulation height: 85 mm ■ Discharge capacity: 2.0 l/s ■ For emergency drainage ■ Accumulation height: 50 mm 	1590.00.05	200.00
				1590.00.07	200.00
				1590.00.08	200.00
				1590.00.09	220.00

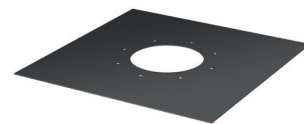
		Designation	Suitable for	Description	Article No.	Price
		Pilot tube for emergency overflow	<ul style="list-style-type: none"> Flex flat roof gully DN 50-DN 100 Upper part: DN 50-DN 100 	<ul style="list-style-type: none"> Made of stainless steel, 1.4301 Diameter: 103 mm Accumulation height: 35 mm With lip seal ring Weight: 0.6 kg 	1590.00.01	58.00
		Pilot tube for emergency overflow	<ul style="list-style-type: none"> Flex flat roof gully DN 125 Upper part: DN 125 	<ul style="list-style-type: none"> Made of stainless steel, 1.4301 Diameter: 133 mm Accumulation height: 45 mm With lip seal ring Weight: 0.8 kg 	1570.00.02	62.00
Jet accessory for vacuum drainage						
		Pilot tube for emergency overflow	<ul style="list-style-type: none"> Flex flat roof gully DN 50-DN 100 Upper part: DN 50-DN 100 	<ul style="list-style-type: none"> Collection ring made of stainless steel, 1.4301 Polypropylene airlock With lip seal made of NBR 	1590.00.03	140.00
		Airlock	<ul style="list-style-type: none"> Jet flat roof gully DN 50-DN 100 Upper part: DN 50-DN 100 	<ul style="list-style-type: none"> Airlock made of polypropylene material 	1590.00.50	43.00

Roof waterproofing membranes for stainless steel flat roof gullies

ACO product advantages

- Factory grouting of the geomembranes is possible

- Roof waterproofing membranes for flat roof gullies made of stainless steel:
 - 1-piece Spin/Jet flat roof gully
 - Two-piece spin/Jet flat roof gully
 - Spin/Jet attic gullies
 - Bottom parts for spin/Jet flat roof gullies
- Please order flange seals separately



Designation	Suitable for	Description	Article No.	Price
Roof waterproofing membrane: Sikaplan 15G	<ul style="list-style-type: none"> ■ Flex flat roof gully made of stainless steel; DN 50 - DN 125; Socket inclination: 90°/0° ■ Upper part made of stainless steel DN 50- 100, DN 125 	<ul style="list-style-type: none"> ■ Sikaplan 15G ■ Please order flange seals separately 	1590.00.40	16.00
Roof waterproofing membrane: Bitumen	<ul style="list-style-type: none"> ■ Flex flat roof gully made of stainless steel; DN 50 - DN 125; Socket inclination: 90°/0° ■ Upper part made of stainless steel DN 50- 100, DN 125 	<ul style="list-style-type: none"> ■ Bitumen ■ Please order flange seals separately 	1590.00.80	33.00

Installation of the ACO/on-site provided roof sealing membrane

ACO Contact

Contact

- Tel.: 036965 819-0
- Fax: 036965 819-361
- email: haustechnik@aco.com

The roof sealing membranes listed in the table can be pre-mounted in the flat roof gully at the factory on request. If the roof sealing membrane required for your building project is not included in the table, you are welcome to send us your existing roof sealing membrane for factory installation.

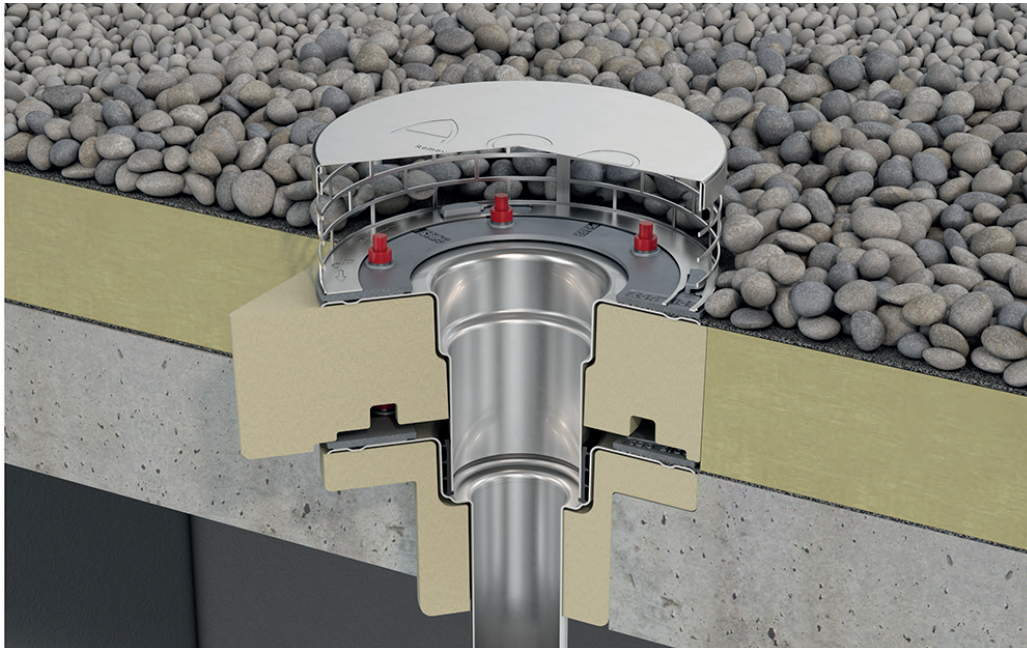


Assembly	Article No.	Price
Installation of the sealing membrane for 1-piece Spin/Jet flat roof gully	0159.99.81	87.30
Installation of the sealing membrane for 2-piece Spin/Jet flat roof gully	0159.99.82	122.00

Flex installation suggestions

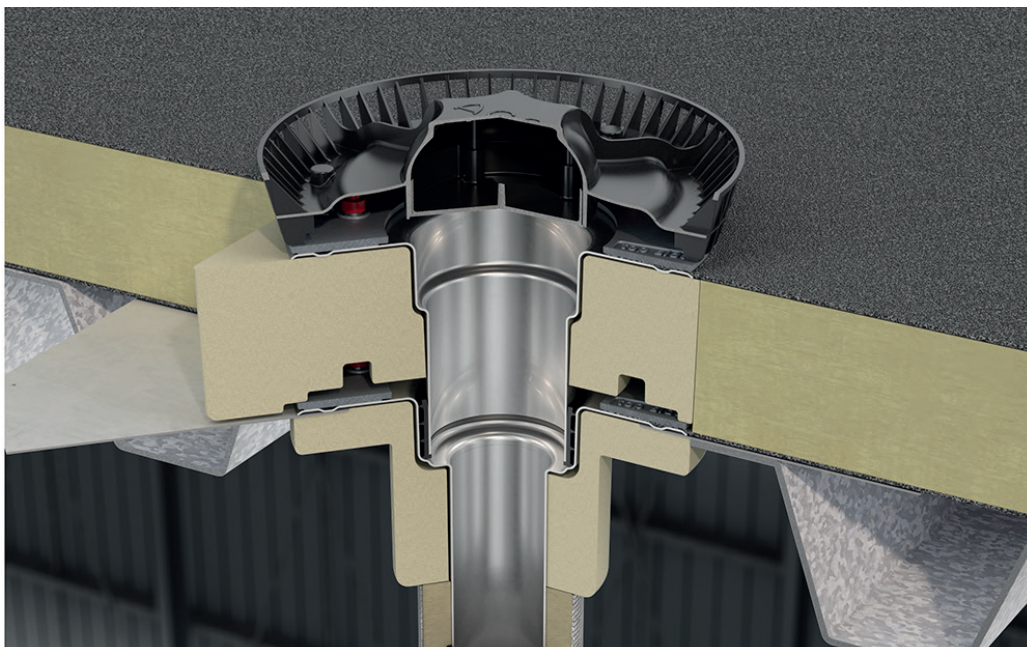
ACO Spin flat roof gully Variant-Spin for gravity drainage

- two-piece,
- Gully with gravel trap and PUR insulation
- In concrete ceiling



ACO Jet flat roof gully for vacuum drainage

- two-piece,
- Gully with airlock and PUR insulation
- In trapezoidal sheet roof



Each ACO Building Material product supports the ACO system chain



-
- Floor drainage
 - Bath drainage
 - Roof drainage
 - Multi-storey car park drainage
 - Balcony and terrace drainage
 - Pipe systems
 - Grease separator
 - Starch separators
 - Light liquid separator
 - Process engineering
 - Backflow systems
 - Lifting Plants
 - Pump stations
-

ACO Building Drainage

ACO Passavant GmbH
Im Gewerbepark 11c
36466 Dermbach
Tel. 036965 819-0
Fax 036965 819-361

haustechnik@aco.com
www.aco-haustechnik.de